

20/21
PRODUCTS

Product Catalogue

Gravity Shutter Damper

Type (GSD)



Khedr Trust
ALL AIR PRODUCTS

Gravity Shutter Damper products are
manufactured by



“Your comfort is
our priority”

www.khedr-eg.com





Models

- GSD-A "Wall Mounted "
- GSD-B "Duct Mounted"



Features

- The frame has a typical wall thickness of 1/16".
- A 1/8" thick, 3/8" wide foam tape is installed on the blades where they overlap to insure a good seal and to reduce noise.



Gravity Shutter Damper

Model Design

Khedr Model GSD horizontal operable shutter Damper are designed to equalize the pressure across it.

Blades Design

The blades are designed and positioned in such away that if the pressure in the room increase the blades automatically lift and open relieving the pressure in the room.

Model Materials

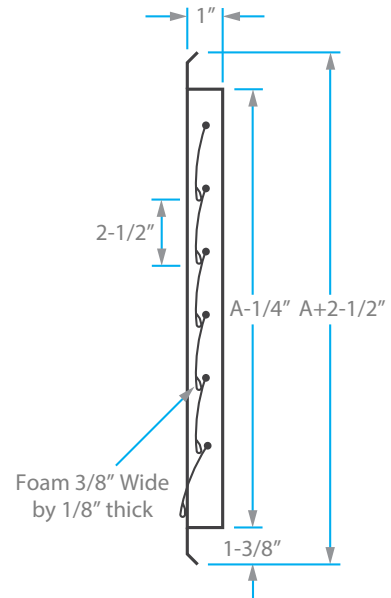
The frame and blades are extruded aluminum alloy and are polyester powder coated.

Installation

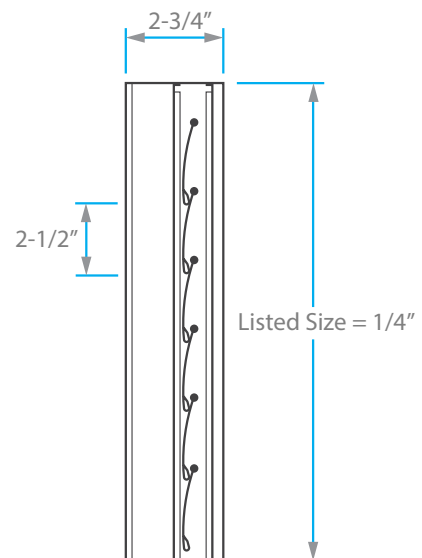
Khedr Model GSD are also employed at the end of exhaust ducts where they close when the fan was turned off.

- Construction & Specs.

- Type (GSD-A) - Wall Mounted



- Type (GSD-B) - Duct Mounted



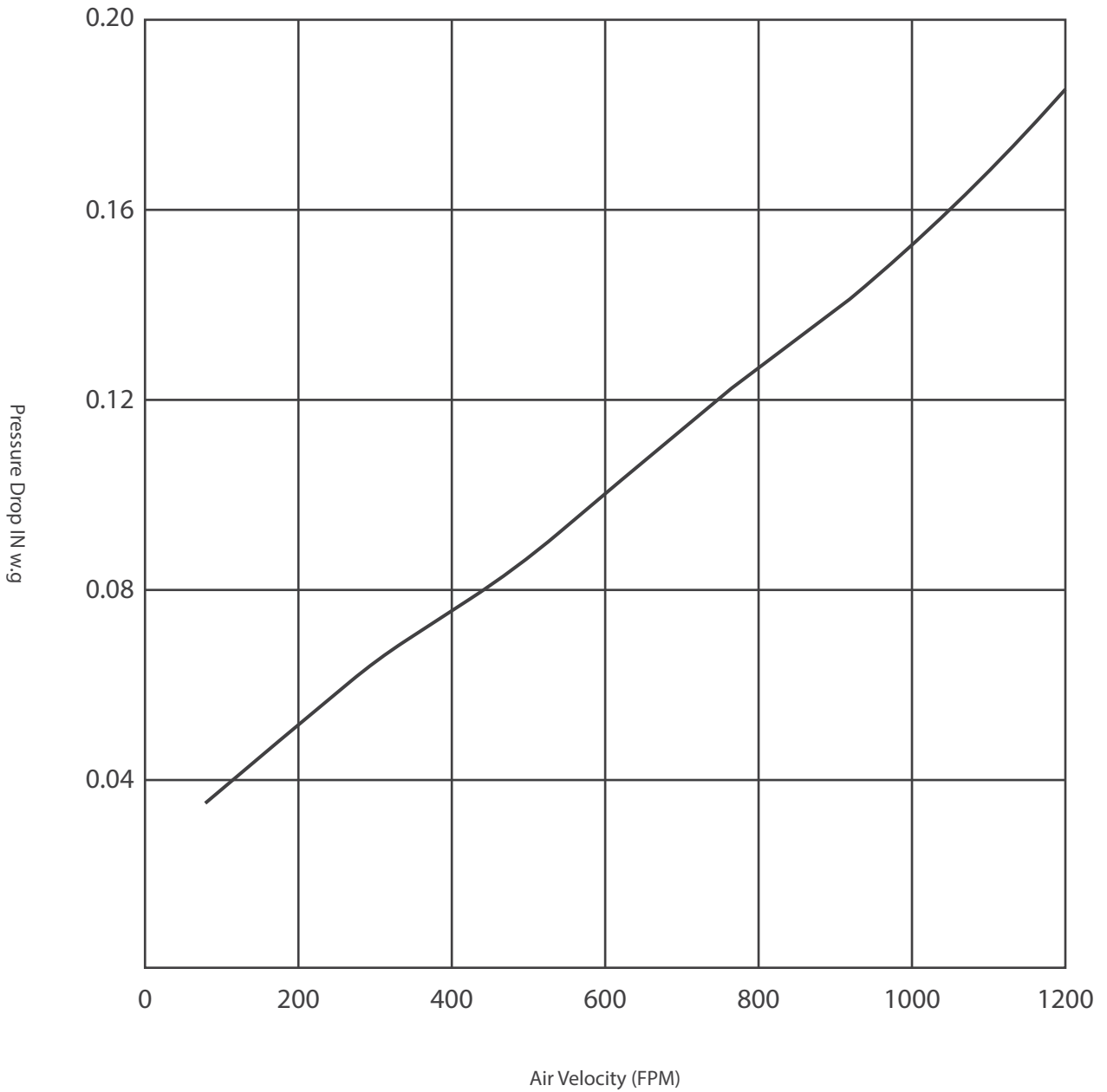
- Performance Data

- Area Factor

Listed Height (Inches)	Listed Width (Inches)												
	12	14	16	18	20	24	30	36	42	48	54	60	72
12	0.81	0.96	1.10	1.25	1.40	1.64	2.08	2.47	2.91	3.30	3.74	4.13	4.95
16	1.08	1.27	1.47	1.66	1.86	2.18	2.77	3.29	3.87	4.44	5.02	5.49	6.60
20	1.36	1.60	1.85	2.09	2.33	2.75	3.48	4.13	4.87	5.52	6.25	6.91	8.30
24	1.62	1.92	2.21	2.50	2.79	3.29	4.16	4.95	5.82	6.61	7.48	8.27	9.93
28	1.89	2.23	2.57	2.91	3.25	3.83	4.85	5.76	6.78	7.69	8.71	9.63	11.56
32	2.16	2.55	2.93	3.32	3.71	4.37	5.53	6.57	7.74	8.78	9.94	10.99	13.19
36	2.44	2.87	3.31	3.75	4.19	4.93	6.24	7.42	8.73	9.91	11.22	12.40	14.89
40	2.70	3.19	3.68	4.16	4.65	5.47	6.93	8.23	9.69	11.00	12.45	13.76	16.52
44	2.97	3.50	4.04	4.57	5.11	6.01	7.61	9.05	10.65	12.08	13.68	15.12	18.16
48	3.25	3.83	4.42	5.00	5.59	6.57	8.32	9.89	11.64	13.21	14.97	16.54	19.86
52	3.52	4.15	4.78	5.41	6.04	7.11	9.01	10.71	12.60	14.30	16.20	17.89	21.49
56	3.78	4.46	5.14	5.82	6.50	7.65	9.69	11.52	13.56	15.39	17.43	19.25	23.12
60	4.06	4.79	5.52	6.25	6.98	8.21	10.40	12.36	14.55	16.52	18.71	20.67	24.82

Gravity Shutter Damper products are manufactured by Khedr Trust Co.

- Aerodynamic Data



- How to order

Type	GSD-A	GSD-A GSD-B
Size	24 X 24	Size "Inch"

Gravity Shutter Damper products are manufactured by Khedr Trust Co.

Other Products are provided by Khedr Trust Co.

Diffusers & Grills

Slot Linear Diffuser
Eye Ball Diffuser
Circular Ceiling Diffuser
Swirl Diffuser
Perforated Ceiling Diffuser
Jet Diffuser
Square Ceiling Diffuser
Disc Valve Diffuser
Linear Bar Grill
Supply / Return Grill
Door Grill

Louvers

Aluminum Louver
Sand Trap Louver

Dampers

Volume Damper
Fire Damper
Smoke Motorized Damper
Shutter Damper
Pressure Relief Damper

Special Parts

Sound Attenuator
Plenum Box

Duct Works

Galvanized Steel Duct
Black Steel Duct
Stainless Steel Duct
Spiral Duct
Flexible Duct
Canvas
Flanges
Flexible Duct Connector



Khedr Trust

ALL AIR PRODUCTS



Alqanater Alkhairia roads.Industrial Area. Behind Cocacola Co.. Cairo, Egypt

Mailing Address : P.O.Box 13621. Cairo 11511 - Egypt

Tel : +202 42452022

Mob : +2010 29999054 / +2010 29999056

+2010 29999057 / +2010 29999058

E-Mail : info@khedr-eg.com



www.khedr-eg.com

